

ABC Marketing, INC.
4800 Eastland Drive
Elkhart, IN 46516
Phone (574)293-9399 Fax (574)293-5801

TEST REPORT 130630-3212771

Report Date: 30 June 2013
Test Component: ABC Marketing 3212771 Yellow 9-LED
Clearance/Sidemarkers/ID lamp (P2)
Devices Tested: Three (3) each submitted 30 June 2013

Test Summary (FMVSS-108)

Photometric Tests - Marker Lamp

SAE J592e (Marker Lamp - P2)	PASSED
Mechanical Tests per SAE J575e	PASSED
Color Tests per SAE J578c	PASSED
Socket Tests per SAE J567b	Not Applicable
Dimensional Tests	Not Applicable

Signature of responsible engineer:



Gary I. Robin

DESCRIPTION SHEET

Device Name: ABC Marketing 3212771 Yellow 9-LED
Clearance/Sidemarker/ID lamp (P2)

Markings:

Lens: "DOT SAE-P2-99 TOP (2 places)"
Housing: None

Lens Information:

Material: Polycarbonate (Yellow)
Shape/Dimensions: Cylindrical, 51 mm Diameter x 28 mm Deep
Attachment Method: None
Gasket: None

Housing: None

BULB	FUNCTION	QUANTITY	TYPE	VOLTAGE
LED	P2 (Yellow)	9	T-Type	14V

Lens complies with SAE J576 JUL 91 requirements as specified in FMVSS 108.

Device Name: ABC Marketing 3212771 Yellow 9-LED
Clearance/Sidemarker/ID lamp (P2)

Photometric Tests:

Specification(s): FMVSS-108 (SAE J592e)
Tests performed by: Gary I. Robin

Results: Meets requirements at all points for:
SAE J592e (Marker Lamp – P2)

Mounting requirements:

Lamp must be mounted parallel to the vehicle longitudinal or lateral axis and may be rotated to any position about the lamp axis.

Test distance: 100 feet

Photometry test voltage: 14.00V

Lens area requirements:

Lamp is a marker lamp.
Lens Area requirements are not applicable.

Bulb socket requirements – SAE J567b:

The bulb socket requirements are not applicable because the lamp is a sealed unit.

TEST RESULT SHEET

Device Name: ABC Marketing 3212771 Yellow 9-LED
Clearance/Sidemarker/ID lamp (P2)

Mechanical tests: SAE J575e
Test performed by: Gary I. Robin
Sample: 2

Vibration test (Shock test).

There was no evidence of material physical weakness, lens or reflector rotation, displacement or rupture of components. LEDs were not damaged.

PASSED

Moisture Test:

Lamp had 0cc of moisture accumulation inside of its cavity (≤ 2 cc required).

PASSED

Dust Test:

No dust was found on the interior surfaces of the device. The maximum candlepower after external cleaning was at least 100% of the HV candlepower prior to exposure.

NOT REQUIRED

Corrosion Test:

There was no evidence of excessive corrosion which would affect the proper functioning of the device.

NOT REQUIRED

Thermal Test:

There was no evidence of reduced function from temperature or humidity.

PASSED

PASSED

Durability Test:

PASSED

LED Life Test:

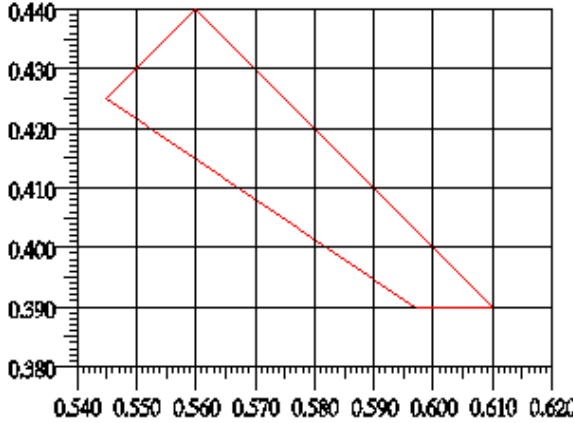
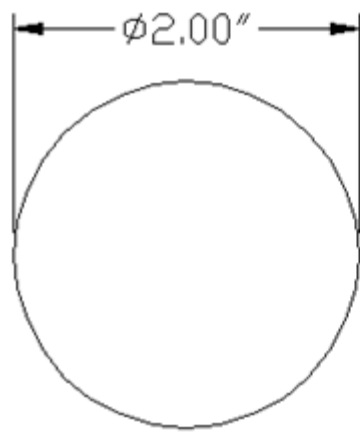
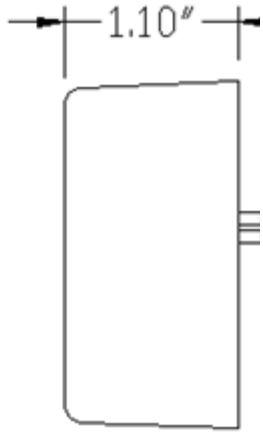
Lamp is not blinking, blackening or shutting off after 1000 hrs.

PASSED

TEST DATA SHEET

Device Name: ABC Marketing 3212771 Yellow 9-LED

Clearance/Sidemarkers/ID lamp (P2)

Test Item	Chroma Test per SAE J578C
Test Date	6/30/2013
Equipment	power Supply, chroma Meter
Test Condition : 1. 23~28° C 2. Voltage: 14.00 V.	
Test Method : Mount specimen on tooling, chroma test at a distance of 1.5 m using CIE fixture.	
Determined Standard : $Y \geq 0.39$ (red boundary) $Y \geq 0.79 - 0.67X$ (white boundary) $Y \leq X - 0.12$ (green boundary)	
Test Result : 1. X=0.593 Y=0.406	
	
	

Result: PASSED SAE J578C color test

By:



PHOTOMETRIC TEST DATA SHEET

Device Name: ABC Marketing 3212771 Yellow 9-LED
Clearance/Sidemarkers/ID lamp (P2)

Sample number: 1

Specification :
SAE J592e (Yellow Clearance, ID or Sidemarkers Lamp (P2))

Location	Measured CP	Required Min CP
10U 45L	1.313	0.62
10U V	4.773	0.62
10U 45R	1.778	0.62
H 45R	2.264	0.62
H V	8.262	0.62
H 45L	2.438	0.62
10D 45L	1.781	0.62
10D V	5.968	0.62
10D 45R	1.480	0.62

Device meets SAE J592e P2 requirements at all points.

Voltage: 14.0 V (Device tested after 30 minute warm-up)

Current: 50 mA

Aim: Lamp mounted perpendicular to HV

By:



Reviewed and approved for submittal by:

Gary I. Robin

Gary I. Robin
Responsible Engineer

June 30, 2013