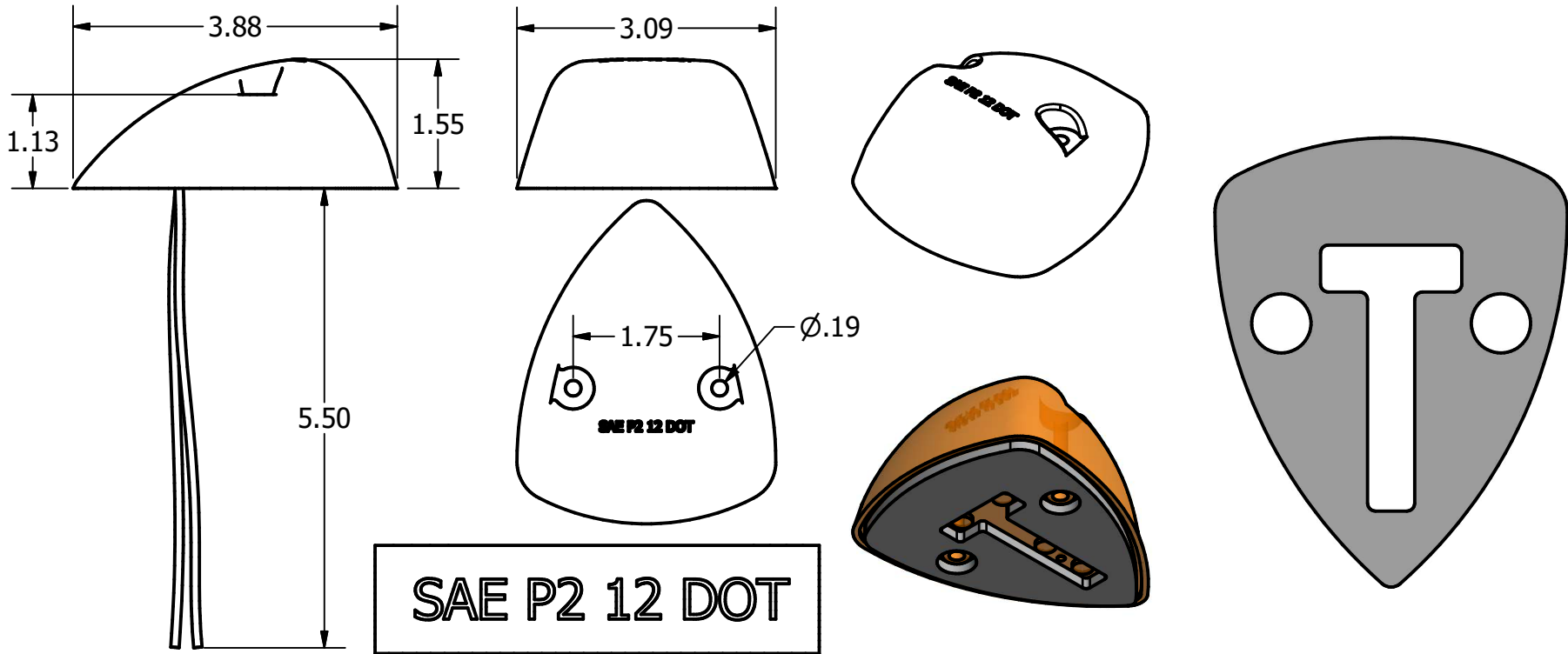



**Notes:**

- Technology: SMD
- LEDs: 3
- Mounting: Surface
- Voltage: 12vdc
- Amps: 0.04A
- Connection: Pigtails (2)
- Black = (Power)
- White = (Ground)
- Gasket Included



REV	DESCRIPTION	BY	DATE								
								DESCRIPTION:		TRIANGULAR LED CAB MARKER LAMP SM - AMBER	
								PART #:		DWG #:	
								3218541		3218541.idw	
								SCALE:	UNIT OF MEASURE:	DWG SIZE:	NOTE:
				NA	IN	A					
				DATE CREATED:		DRAWN BY:	SHEET:	REV:			
				4-7-21		RSH	1				