

Notes:

Technology: SMD

LEDs: 3

Mounting: Surface

Voltage: 12vdc

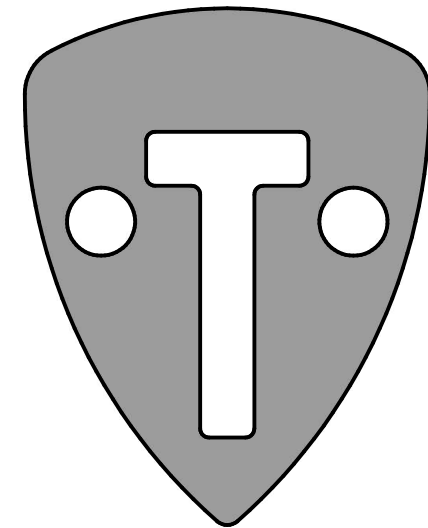
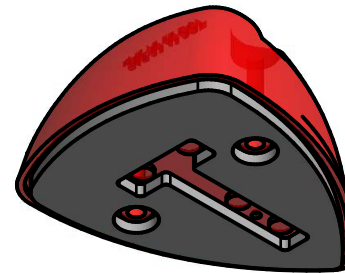
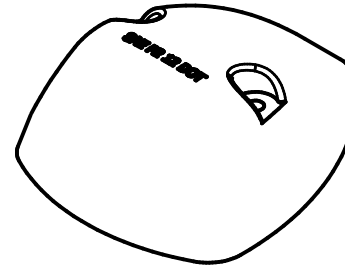
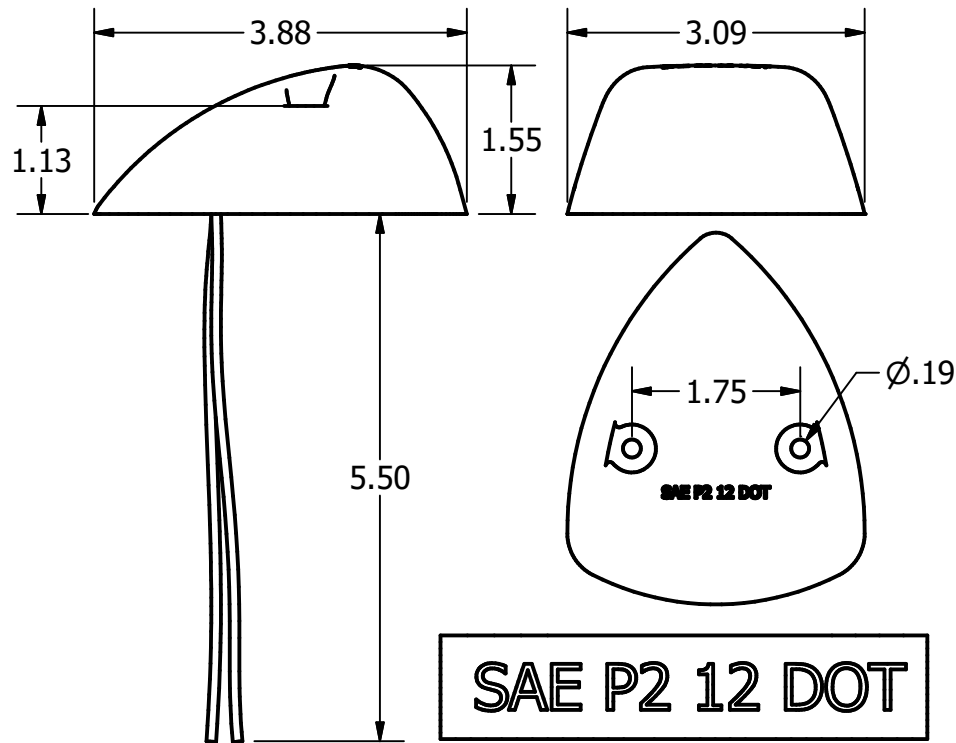
Amps: 0.04A

Connection: Pigtails (2)

Black = (Power)


White = (Ground)

Gasket Included



SAE P2 12 DOT

REV	DESCRIPTION	BY	DATE

				DESCRIPTION: TRIANGULAR LED CAB MARKER LAMP SM - RED			
				PART #: 3218542		DWG #: 3218542.idw	
SCALE: NA	UNIT OF MEASURE: IN	DWG SIZE: A	NOTE:				
DATE CREATED: 4-7-21	DRAWN BY: RSH	SHEET: 1	REV:				